



**DOLLE®**

**DOLLE  
LOFT LADDERS**

# ABOUT DOLLE

At DOLLE we are a market leading attic ladders and staircase supplier and one of the world's largest manufacturers of stairs, with production sites in Denmark, Ukraine, Romania & China we offer delivery worldwide.

"The safe way to the top" is the history of our company. This is based not only on the vision and creativity of Carl Dolle, but also with the solidarity and cohesion of all employees of the DOLLE Group. And, of course most importantly, the loyalty of our customers who accompany us on this journey in partnership. With DOLLE you always access with ease!

## U-value

### Insulation

DOLLE Loft ladders has got excellent heat insulation, the clickFIX® trapdoor is insulated with a thick polystyrene layer and white facing. U-value test according to EN 12 567:1 2001-02. The lower u-value, the lower heat loss.



### No thermal bridge with patented clickFIX® technology

There are no thermal bridges from this loft ladder. Because the trapdoor consists solely of high-insulating material and no wooden construction.



### Airtightness class 4

The unique sealing system in DOLLE loft ladders ensures that the gap between trapdoor and frame is tight, preventing draft and heat loss. They are tested at IFT Rosenheim according to the highest airtight class 4 - EN 12207.



### Approved for 150 kg loading

DOLLE loft ladders are very stable and they are approved up to 150 kg according to EN 14975.



### Fire-resistant loft ladder

Models with this reference have been tested in a fire test where the fire resistance of the loft ladder is tested as a building part. Complies with EN 13501-2.



### Easy installation

With low weight and patented assembly technology of click modules, clickFIX® can also be easily installed - by one person.

## EN 14975

### Produced according to EN 14975

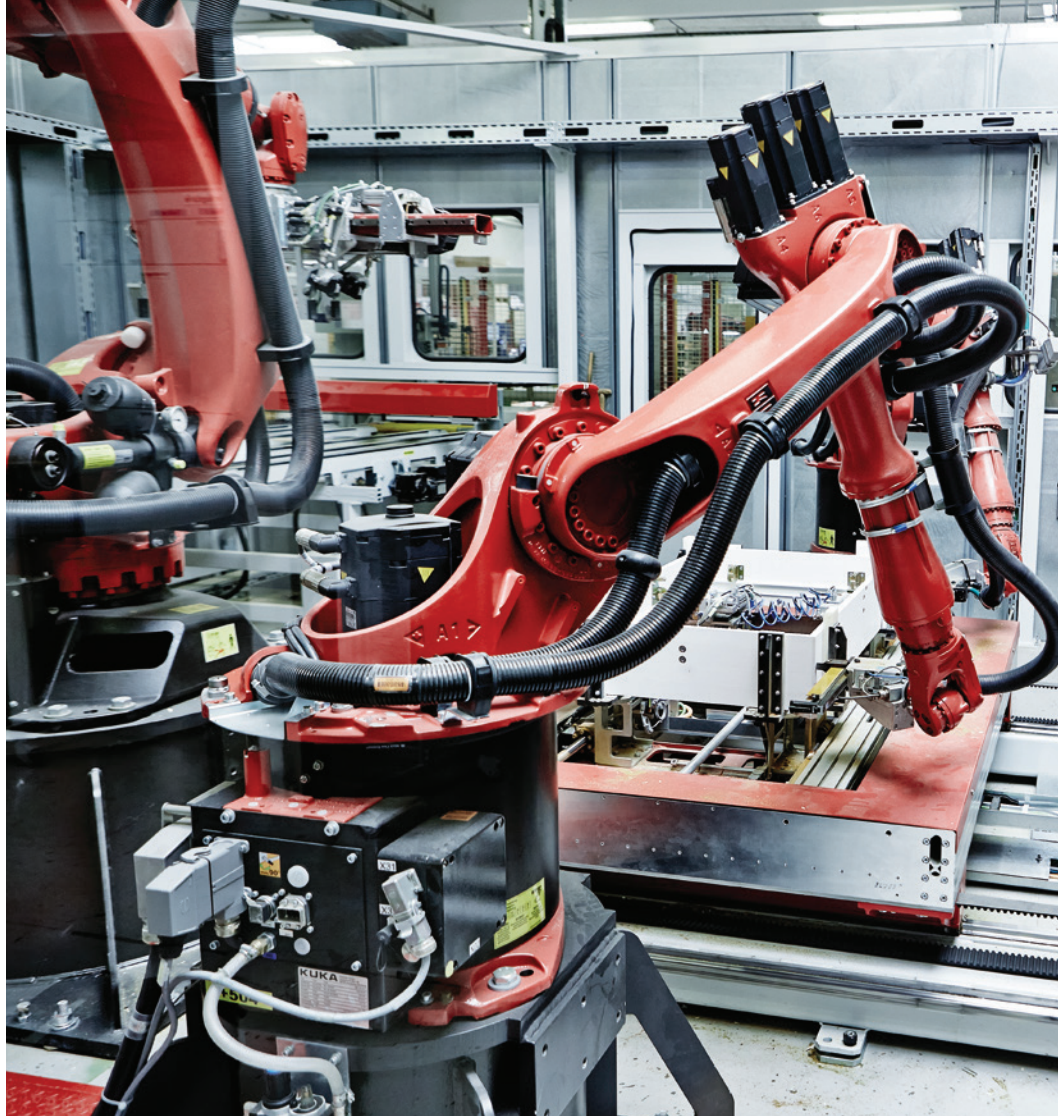
All loft ladders from DOLLE are produced according to EN 14975.



### FSC® certified forests

Scandinavian design and craftsmanship are combined with traditional materials. DOLLE loft ladders are manufactured in Denmark under ISO certified systems, our timber is sourced from renewable FSC® certified forests.

DOLLE PRODUCES MORE THAN  
**350,000**  
STAIRS A YEAR



DOLLE WAS FOUNDED IN  
**1951**  
BY CARL DOLLE



**DANISH  
QUALITY**

# LOFT LADDER WITH PATENTED CLICKFIX® TECHNOLOGY

## EXCELLENT INSULATION REDUCES HEAT LOSS AND THERMAL BRIDGES

Scandinavian design and craftsmanship are combined to deliver the industry leading energy efficiency. Our patented clickFIX® technology secures that there are no thermal bridges from clickFIX® loft ladders. Because the trapdoor consists solely of high-insulating material and no wooden construction.

The unique sealing also ensures air-tightness. All this allows us to achieve excellent heat insulation for your home. Our loft ladders are manufactured in Denmark and 100% of our timber is sourced from renewable FSC® certified forests.

## INNOVATION

We are constantly expanding our product range and working on technical improvements and innovations: e.g., DOLLE pioneered thermal insulation and developed wind-proof installation solutions for loft ladders.

All our loft ladders are manufactured in accordance with DIN ISO 9001 and tested in accordance with DIN EN 14975.

## FOCUS ON EASY INSTALLATION OF A LOFT LADDER

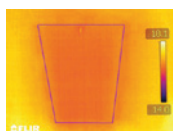
Thanks to its low weight and patented assembly technology with click modules, clickFIX® can also be easily installed by one person. It's simple: align casing it screw it in place, click on the trapdoor and ladder section and adjust to the room height - job done! This ensures an airtight connection between the loft ladder and the ceiling construction.

## NO THERMAL BRIDGES WITH PATENTED CLICKFIX® TECHNOLOGY

With the DOLLE clickFIX® loft ladders a new standard is set. You have the security that you will have no thermal bridges from the loft ladder. Because the trapdoor consists solely of high-insulating material and no wooden construction. The unique sealing also ensures air-tightness. All this allows us to achieve excellent heat insulation for your home.

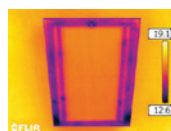
### DOLLE CLICKFIX® LOFT LADDERS

No thermal bridges



### TRADITIONAL LOFT LADDERS

Many thermal bridges



# DOLLE CLICK FIX® 36 GOLD



EN  
14975



clickFIX®  
TECHNOLOGY

U-VALUE:  
**0,99**

# DOLLE CLICK FIX® 36 GOLD MINI



EN  
14975



clickFIX®  
TECHNOLOGY

U-VALUE:  
**0,99**

## TECHNICAL DATA

### PRODUCT

Type: 3-section  
Material: Wood  
Max. load: 150 kg  
U-Value: 0,99 W/(m<sup>2</sup>K), tested as building component by testinstitute: IFT Rosenheim

### DIMENSIONS

Opening size: 120×60 / 120×70 / 130×70 cm  
Floor-ceiling H: Max. 275 cm  
Total going: 121 cm  
Swing clearance: 151 cm

### CASING

Outside casing: 117,5×57,6 / 117,5×67,6 / 127,5×67,6 cm  
Height: 11,5 cm  
Thickness: 1,8 cm  
Material: Spruce

### TRAPDOOR

Insulation: 30 mm  
Thickness: 36 mm  
Material: White/white HDF 2×3

### TREADS

Number: 12 treads  
Width: 358 mm (total ladder: 400 mm)  
Depth: 82 mm  
Rise: 250 mm  
Material: Spruce

### ACCESSORIES

Included: Ladder feet, metal handrail  
For order: Plastic architraves

## TECHNICAL DATA

### PRODUCT

Type: 4-section  
Material: Wood  
Max. load: 150 kg  
U-Value: 0,99 W/(m<sup>2</sup>K), tested as building component by testinstitute: IFT Rosenheim

### DIMENSIONS

Opening size: 92,5×60 / 92,5×70 cm  
Floor-ceiling H: Max. 280 cm  
Total going: 119 cm  
Swing clearance: 117 cm

### CASING

Outside casing: 90×57,6 / 90×67,6 cm  
Height: 11,5 cm  
Thickness: 1,8 cm  
Material: Spruce

### TRAPDOOR

Insulation: 30 mm  
Thickness: 36 mm  
Material: White/white HDF 2×3

### TREADS

Number: 12 treads  
Width: 379 mm (total ladder: 400 mm)  
Depth: 54 mm  
Rise: 250 mm  
Material: Beech

### ACCESSORIES

Included: Ladder feet  
For order: Plastic architraves

# DOLLE CLICK FIX® 56 SILVER



EN  
14975

MAX.  
150 kg

↕

↕

clickFIX®  
TECHNOLOGY

U-VALUE:  
**0,64**

# DOLLE CLICK FIX® 76 GOLD



EN  
14975

MAX.  
150 kg

↕

↕

clickFIX®  
TECHNOLOGY

U-VALUE:  
**0,49**

## TECHNICAL DATA

### PRODUCT

Type: 3-section  
Material: Wood  
Max. load: 150 kg  
U-Value: 0,64 W/(m<sup>2</sup>°K), tested as building component by testinstitute: IFT Rosenheim

### DIMENSIONS

Opening size: 120×60 / 120×70 cm  
Floor-ceiling H: Max. 280 cm  
Total going: 116 cm  
Swing clearance: 150 cm

### CASING

Outside casing: 117,5×57,6 / 117,5×67,6 cm  
Height: 14 cm  
Thickness: 1,8 cm  
Material: Spruce

### TRAPDOOR

Insulation: 50 mm  
Thickness: 56 mm  
Material: White/white HDF 2×3

### TREADS

Number: 12 treads  
Width: 379 mm (total ladder: 400 mm)  
Depth: 54 mm  
Rise: 250 mm  
Material: Beech

### ACCESSORIES

Included: Ladder feet  
For order: Metal handrail, plastic architraves

## TECHNICAL DATA

### PRODUCT

Type: 3-section  
Material: Wood  
Max. load: 150 kg  
U-Value: 0,49 W/(m<sup>2</sup>°K), tested as building component by testinstitute: IFT Rosenheim

### DIMENSIONS

Opening size: 120×60 / 120×70 / 140×70 cm  
Floor-ceiling H: Max. 274 cm  
Total going: 113 cm  
Swing clearance: 150 cm

### CASING

Outside casing: 117,5×57,6 / 117,5×67,6 / 137,5×67,6 cm  
Height: 24 cm  
Thickness: 1,8 cm  
Material: White pine

### TRAPDOOR

Insulation: 70 mm  
Thickness: 76 mm  
Material: White/white HDF 2×3

### TREADS

Number: 12 treads  
Width: 358 mm (total ladder: 400 mm)  
Depth: 83 mm  
Rise: 250 mm  
Material: Beech

### ACCESSORIES

Included: Ladder feet, plastic architraves, metal handrail

# DOLLE CLICK FIX® 76 THERMO



EN  
14975



clickFIX®  
TECHNOLOGY

U-VALUE:  
**0,38**

# DOLLE CLICK FIX® 76 COMFORT



EN  
14975



clickFIX®  
TECHNOLOGY

U-VALUE:  
**0,49**

## TECHNICAL DATA

### PRODUCT

Type: 3-section  
Material: Wood  
Max. load: 150 kg  
U-Value: 0,38 W/(m<sup>2</sup>K), tested as building component by testinstitute: IFT Rosenheim

### DIMENSIONS

Opening size: 120×60 / 120×70 / 130×70 / 140×70 cm  
Floor-ceiling H: Max. 274 cm  
Total going: 123 cm  
Swing clearance: 153 cm

### CASING

Outside casing: 117,5×57,6/117,5×67,6/127,5×67,6/137,5×67,6 cm  
Height: 24 cm  
Thickness: 1,8 cm  
Material: White pine

### TRAPDOOR

Insulation: 70 mm  
Thickness: 76 mm  
Material: White/white HDF 2×3

### TREADS

Number: 12 treads  
Width: 379 mm (total ladder: 400 mm)  
Depth: 83 mm  
Rise: 250 mm  
Material: Beech

### ACCESSORIES

Included: Ladder feet, plastic architraves  
For order: Metal handrail, wooden balustrade

## TECHNICAL DATA

### PRODUCT

Type: 3-section  
Material: Steel  
Max. load: 150 kg  
U-Value: 0,49 W/(m<sup>2</sup>K), tested as building component by testinstitute: IFT Rosenheim

### DIMENSIONS

Opening size: 120×60 / 120×70 / 130×70 / 140×70 cm  
Floor-ceiling H: Max. 285 cm  
Total going: 111 cm  
Swing clearance: 144 cm

### CASING

Outside casing: 117,5×57,6/117,5×67,6/127,5×67,6/137,5×67,6 cm  
Height: 24 cm  
Thickness: 1,8 cm  
Material: White pine

### TRAPDOOR

Insulation: 70 mm  
Thickness: 76 mm  
Material: White/white HDF 2×3

### TREADS

Number: 12 treads  
Width: 340 mm (total ladder: 400 mm)  
Depth: 130 mm  
Rise: 250 mm  
Material: Steel

### ACCESSORIES

Included: Plastic architraves, telescope handrail  
For order: Additional ladder for height til 285 cm

# DOLLE CLICK FIX® VARIO

EN  
14975



clickFIX®  
TECHNOLOGY



U-VALUE:  
**0,49**

## TECHNICAL DATA

### PRODUCT

Type: concertina  
Material: Aluminium  
Max. load: 150 kg  
U-Value: 0,49 W/(m<sup>2</sup>°K), tested as building component by testinstitute: IFT Rosenheim

### DIMENSIONS

Opening size: 90×60 / 120×60 / 120×70 / 130×70 / 140×70 cm  
Floor-ceiling H: Max. 415 cm  
Swing clearance: 115-257 cm

### CASING

Outside casing: 87,5×57,6 / 117×57,6 / 117×67,6  
127×67,6 / 137×67,6 cm

Height: 24 cm  
Thickness: 1,8 cm  
Material: Pine white

### TRAPDOOR

Insulation: 70 mm  
Thickness: 76 mm  
Material: White / white HDF 2×3

### TREADS

Number: 9-14 treads  
Width: 320 mm  
Depth: 111 mm  
Rise: 250 mm  
Material: Aluminium

### ACCESSORIES

Included: Plastic architraves



Concertina attic ladder  
with tread depth 11 cm



Trapdoor with  
double seal



Patented articulated lever  
for easy assembly



Particularly stable through  
additional frame



# DOLLE EUROISO

# DOLLE SW 26-5



EN  
14975

MAX.  
150 kg

↕

↕

NOT  
ASSEMBLED

U-VALUE:  
**1,60**



EN  
14975

MAX.  
150 kg

↕

↕

PARTLY  
ASSEMBLED

U-VALUE:  
**1,60**

## TECHNICAL DATA

**PRODUCT**  
 Type: 3-section  
 Material: Wood  
 Max. load: 150 kg  
 U-Value: 1,6 W/(m<sup>2</sup>°K), tested as building component by testinstitute: IFT Rosenheim

**DIMENSIONS**  
 Opening size: 120×60 / 120×70 cm  
 Floor-ceiling H: Max. 282 cm  
 Total going: 121 cm  
 Swing clearance: 151 cm

**CASING**  
 Outside casing: 117,5×57,6 / 117,5×67,6 cm  
 Height: 11,5 cm  
 Thickness: 1,8 cm  
 Material: Spruce

**TRAPDOOR**  
 Insulation: 20 mm  
 Thickness: 26 mm  
 Material: White/ brown HDF 2×3

**TREADS**  
 Number: 12 treads  
 Width: 358 mm (total ladder: 400 mm)  
 Depth: 82 mm  
 Rise: 250 mm  
 Material: Spruce

**ACCESSORIES**  
 For order: Ladder feet, plastic architraves, metal handrail, wooden balustrade

## TECHNICAL DATA

**PRODUCT**  
 Type: 3-section  
 Material: Wood  
 Max. load: 150 kg  
 U-Value: 1,6 W/(m<sup>2</sup>°K), tested as building component by testinstitute: IFT Rosenheim

**DIMENSIONS**  
 Opening size: 120×60 / 120×70 cm  
 Floor-ceiling H: Max. 285 cm  
 Total going: 121 cm  
 Swing clearance: 151 cm

**CASING**  
 Outside casing: 117,5×57,6 / 117,5×67,6 cm  
 Height: 14 cm  
 Thickness: 1,8 cm  
 Material: Spruce

**TRAPDOOR**  
 Insulation: 20 mm  
 Thickness: 26 mm  
 Material: White/white HDF 2×3

**TREADS**  
 Number: 12 treads  
 Width: 358 mm (total ladder: 400 mm)  
 Depth: 82 mm  
 Rise: 250 mm  
 Material: Spruce

**ACCESSORIES**  
 Included: Ladder feet  
 For order: Plastic architraves, metal handrail, wooden balustrade

# DOLLE SW 36



EN  
14975

MAX.  
150 kg

↕

↕

PARTLY  
ASSEMBLED

U-VALUE:  
**1,30**

# DOLLE SW 56



EN  
14975

MAX.  
150 kg

↕

↕

ASSEMBLED

U-VALUE:  
**0,90**

## TECHNICAL DATA

### PRODUCT

Type: 3-section  
Material: Wood  
Max. load: 150 kg  
U-Value: 1,3 W/(m<sup>2</sup>K), tested as building component by testinstitute: IFT Rosenheim

### DIMENSIONS

Opening size: 120×60 / 120×70 cm  
Floor-ceiling H: Max. 285 cm  
Total going: 116 cm  
Swing clearance: 155 cm

### CASING

Outside casing: 117,5×57,6 / 117,5×67,6 cm  
Height: 14 cm  
Thickness: 1,8 cm  
Material: Spruce

### TRAPDOOR

Insulation: 30 mm  
Thickness: 36 mm  
Material: White/white HDF 2×3

### TREADS

Number: 12 treads  
Width: 358 mm (total ladder: 400 mm)  
Depth: 82 mm  
Rise: 250 mm  
Material: Spruce

### ACCESSORIES

Included: Ladder feet, plastic architraves  
For order: Metal handrail, wooden balustrade

## TECHNICAL DATA

### PRODUCT

Type: 3-section  
Material: Wood  
Max. load: 150 kg  
U-Value: 0,9 W/(m<sup>2</sup>K), tested as building component by testinstitute: IFT Rosenheim

### DIMENSIONS

Opening size: 120×60 / 120×70 cm  
Floor-ceiling H: Max. 285 cm  
Total going: 138 cm  
Swing clearance: 144 cm

### CASING

Outside casing: 117,5×57,6 / 117,5×67,6 cm  
Height: 19 cm  
Thickness: 1,8 cm  
Material: Spruce

### TRAPDOOR

Insulation: 50 mm  
Thickness: 56 mm  
Material: White/white HDF 2×3

### TREADS

Number: 12 treads  
Width: 358 mm (total ladder: 400 mm)  
Depth: 82 mm  
Rise: 250 mm  
Material: Beech

### ACCESSORIES

Included: Ladder feet, plastic architraves  
For order: Metal handrail, wooden balustrade

# DOLLE REI 45



## TECHNICAL DATA

### PRODUCT

Type:	3-section
Material:	Wood
Max. load:	150 kg
U-Value	0,96 W/(m <sup>2</sup> K), tested as building component by testinstitute: IFT Rosenheim

### DIMENSIONS

Opening size:	120×60 / 120×70 cm
Floor-ceiling H:	Max. 285 cm
Total going:	107 cm
Swing clearance:	154 cm

### CASING

Outside casing:	117,5×57,6 / 117,5×67,6 cm
Height:	19 cm
Thickness:	1,8 cm
Material:	Blockboard

### TRAPDOOR

Insulation:	50 mm
Thickness:	56 mm
Material:	White/white rockwool stone wool

### TREADS

Number:	12 treads
Width:	379 mm (total ladder: 400 mm)
Depth:	83 mm
Thickness:	18 mm
Rise:	250 mm
Material:	Beech

### ACCESSORIES

Included:	Ladder feet, wooden architraves
For order:	Metal handrail

## FIRE RESISTANT LOFT LADDERS

### EUROPEAN CLASSIFIED TESTED ACCORDING TO THE NEW EUROPEAN FIRE SAFETY REQUIREMENTS

The new European fire safety requirements cover the same as national fire safety requirements, but have other names for fire classes.

#### R - Resistance

Bearing capacity during fire.

#### E - Integrity

Ability to keep flames and gases out.

#### I - Insulation

Ability to keep the heat out.



**REI 45** means that the building part can maintain bearing capacity, keep flames, gases and heat out for 45 minutes. This term is used to loadbearing buildings parts.

# ACCESSORIES

A VARIETY OF ACCESSORIES CAN BE SUPPLIED FOR ANY ATTIC LADDER IN ORDER TO OPTIMISE COMFORT AND SAFETY.



## LADDER FEET

ladder feet make it easier to shorten the ladder section and provide protection to the floor under the loft ladder



## PLASTIC ARCHITRAVES

for nice opening finish



## SEALING SYSTEM FOR THE SPACE BETWEEN CASING AND CEILING

for airtight, thermally insulated connection to the ceiling



## METAL HANDRAIL

is screwed directly on to the ladder and ensures safety and comfort



## TELESCOPIC HANDRAIL

offers firm grip when accessing the loft space

# DOLLE Wall hatch CLICK FIX® 56



# DOLLE Wall hatch REI 45



## TECHNICAL DATA

### PRODUCT

Material: Wood  
U-Value: 0,65 W/(m<sup>2</sup>K), tested as building component  
by testinstitute: IFT Rosenheim

### DIMENSIONS

Opening size: 80×56 / 80×70 / 100×70 cm  
Opening depth: 11,50 cm

### CASING

Outside casing: 78×54 / 78×68 / 98×68 cm  
Height: 80,5 / 100,5 cm  
Thickness: 1,8 cm

### TRAPDOOR

Insulation: 50 mm  
Thickness: 56 mm  
Material: White/white

### ACCESSORIES

For order: Plastic architraves

## TECHNICAL DATA

### PRODUCT

Material: Wood  
U-Value: 0,96 W/(m<sup>2</sup>K), tested as building component  
by testinstitute: IFT Rosenheim

### DIMENSIONS

Opening size: 78×54 / 78×68 / 98×68 cm  
Opening depth: 11,50 cm

### CASING

Outside casing: 117,5×57,6 / 117,5×67,6 cm  
Height: 80,5 / 100,5 cm  
Thickness: 1,8 cm

### TRAPDOOR

Insulation: 50 mm  
Thickness: 56 mm  
Material: White/white rockwool stone wool

# DOLLE FLAT ROOF EXIT

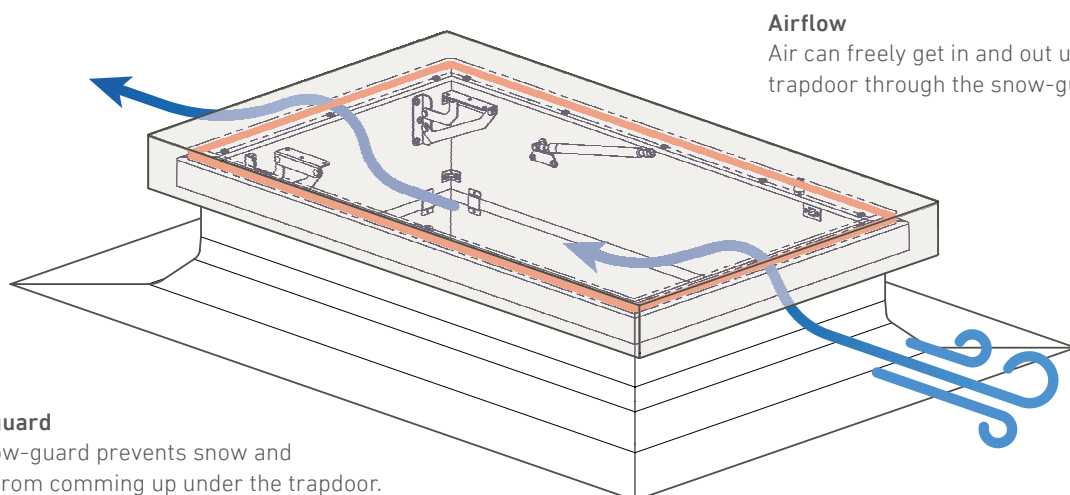
The new DOLLE Flat Roof Hatch offers the optimal way up. The roof hatch can be combined with DOLLE clickFIX® 76 loft ladders, DOLLE clickFIX® thermo and fire-resistant loft ladders DOLLE REI 45. All you need is this roof hatch with the innovative clickFIX® technology. Big advantage of DOLLE Flat Roof exit lies in the modular construction with individual, lightweight components which make the installation easy without a crane!



- > **Convenient ascent** via a loft ladder and additional steps in the casing.
- > **Integrated ventilation** prevents formation of condensation.
- > **Snow guard protection** prevents penetration of snow or dust, but lets air through.
- > **Easy opening and closing** with gas springs in the lid.
- > **No water accumulation** on the lid.

## CHOOSE YOUR FLAT ROOF EXIT

- > Make your measurement according to the scheme on the last page.
- > Pick a loft ladder:
  - DOLLE REI 45
  - DOLLE REI 45 Comfort
  - DOLLE clickFIX® 76 Comfort
  - DOLLE clickFIX® 76 Gold
  - DOLLE clickFIX® Thermo
- > Complete flat roof exit with roof hatch and extra casing according to your measurements

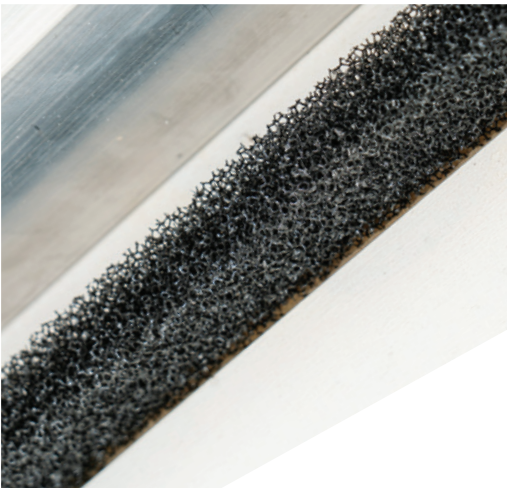
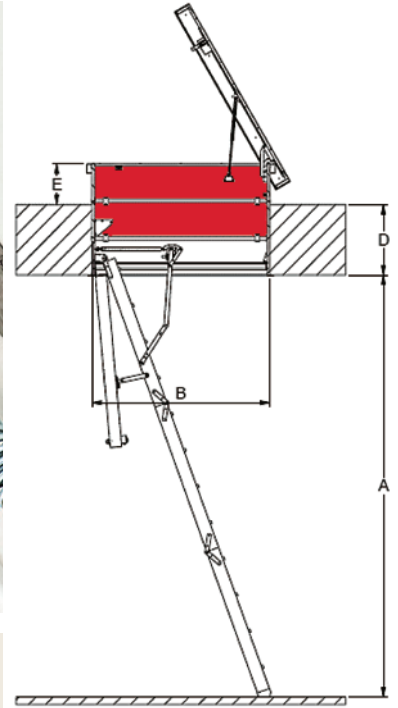


### Airflow

Air can freely get in and out under the trapdoor through the snow-guard.

### Snow-guard

The snow-guard prevents snow and leaves from coming up under the trapdoor.



Additional aluminium treads made of aluminium in the casing facilitate a comfortable access.

The snow guard keeps snow and foliage outside and let the air circulate in the hatch box.



Easy opening and closing with gas springs and ergonomic handle in the lid. The double lock is prepared for mounting a profile cylinder.



Rubber buffer and aluminium profile protect the lid. The slight distance to the lid creates a gap for ventilation.

## DIMENSIONS

**Floor-to-ceiling-height (A)**  
Standard: 274.0 cm

Special measure: Max.  
REI 45 336.0 cm  
REI 45 Comfort 290.8 cm  
clickFIX® 76 Comfort 284.6 cm  
clickFIX® 76 Gold 332.0 cm

(Casing length min. 140 cm)

**Opening size - length (B)**  
Standard: 110 cm  
120 cm  
130 cm  
140 cm

Made to measure: 110 - 160 cm

**Opening size - width (C)**  
Standard: 60 cm  
70 cm

Made to measure: 60 - 80 cm

**Construction height (D)**  
28.35 cm - 124.95 cm

**Height above roof (E)**  
Min. 20 cm above roof

**Total height (D + E)**  
48.35 - 144.95 cm



**DOLLE**<sup>®</sup>

DEALER:

**Dolle sp. z o.o.**

ul. Miedzyrzecka 149,  
43-382 Bielsko-Biala  
Tel. +48 338 272 490  
e-mail: [biuro@dolle.com](mailto:biuro@dolle.com)  
[dolle.com.pl](http://dolle.com.pl)